

CONDITIONAL WARRANTY AND RETURNS (APPLICABLE WITHIN RSA)

This is the sole conditional warranty issued by the manufacturer in respect of all appliances sold by the manufacturer. This conditional warranty replaces and substitutes all other warranties and / or guarantees expressed or implied and the liability of the manufacturer in respect of the appliance is limited to the following

1. The standard conditional warranty period for our appliances is 12 (twelve) months and will be a full warranty, viz. parts and labour are for the manufacturers' expense provided that the underlying conditions for application and use are followed. Note that products within the appliance are not covered by this warranty and should be covered by the consumers' household insurance. This conditional warranty applies to appliances used for commercial purposes, within the territorial area of the Republic of South Africa.
2. If this appliance should fail to function correctly when first switched on, it may be returned for credit provided that,
 - a. The manufacturer or its service agents have been given the opportunity to check whether the appliance has been correctly installed, and operating instructions have been followed.
 - b. The original packaging and all accessories are returned intact.
3. If the appliance should fail within the first 6 (six) months of purchase, the manufacturer requires that the appliance be inspected by one of its service agent technicians to verify the installation and the nature of the fault. In the event of a failure, the manufacturer will accept the right of the individual to elect either
 - a. A repair,
 - b. A replacement appliance, or
 - c. A refund from the dealerIn the event of that the refund option is elected, the manufacturer will credit the dealer the original invoiced price of the appliance in return for the defective appliance, subject to paragraph 7 below.
4. If the appliance should fail after the first 6 (six) months of date of purchase, but within the warranty period, the manufacturer or its service agents will repair the appliance. If the appliance cannot be repaired, the manufacturer will replace the appliance at its discretion.
5. All repairs by the manufacturer or its service agents are guaranteed for a period of 3 (three) months.
6. All products besides plug-in products must be installed by qualified electricians and / or certified gas installers. Failure to do so will render the conditional warranty null and void.
7. All parts replaced become the property of the manufacturer.
8. Under the following conditions no credit will be passed to the dealer
 - a. Where the returned appliance is found not to be faulty.
 - b. Where the appliance has been returned due to misrepresentation by the dealer of the features and functionality of the product, as well as its suitability for intended use.
 - c. Where the consumer does not have adequate proof of purchase.
 - d. Where the defect has been caused by an external factor such as faulty installation, accidental damage, incorrect usage, misuse or abuse, failure to follow the operating instructions, acts of God or forces majeure.
 - e. Where a repair has been attempted by a person not authorized by the Manufacturer.
9. This conditional warranty shall become void and cease to operate
 - a. If the appliance is dismantled by, or any repairs to the appliance are affected by any persons not duly authorized by the manufacturer.
 - b. If any non-genuine parts are used in the appliance.
 - c. If the serial number of the appliance is removed.
10. The manufacturer undertakes to comply with the Consumer Protection Act in so far as it applies.



Disposal of Used Electrical & Electronic Equipment

This product must not be treated as household waste. Please, dispose of this equipment at the applicable collection point for the recycling of electrical & electronic equipment waste.

INSTRUCTION MANUAL & SERVICE HISTORY

**READ
BEFORE
USING
UNIT**

COMMERCIAL REFRIGERATION UNIT

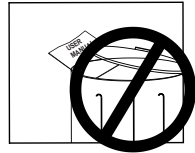
FAILURE TO ADHERE TO THESE INSTRUCTIONS WILL RENDER YOUR
CONDITIONAL WARRANTY NULL AND VOID.

FAILURE TO MAINTAIN THIS UNIT'S SERVICE HISTORY WILL RENDER
YOUR CONDITIONAL WARRANTY NULL AND VOID.

ERRORS AND OMISSIONS EXCLUDED.

CONTENTS

1. Introduction	1
2. Warnings and Guidance	2
3. Servicing	3
4. Transportation and Storing	4
4.1. Transportation	4
4.2. Storage	4
5. Unpacking and Positioning	4-5
5.1 Unpacking the Unit	4
5.2 Fitting Shelves	4
5.3. Fitting Header Panel	4-5
5.4 Floor Surface	5
5.5 Space Requirements	5
5.6 Room Conditions	5
5.7 Electrical Installation	5
6. Using the Unit	5-7
6.1. Switching "ON" the Unit	5
6.2. Regulating Temperature	6
6.3. Cleaning & Maintenance	6-7
6.4. Replacing LED Lamps	7
7. Troubleshooting	7
8. Service History	7
9. Unit Features	8-10
8.1. Beverage Coolers	8-9
8.3 Glass Top Freezers	10
8.4. Upright freezers	10
10. Conditional Warranty	11



1. INTRODUCTION

Congratulations for selecting this quality commercial refrigeration unit. This product has been carefully designed to suit your needs. It incorporates modern refrigeration technology and is manufactured to the strictest quality procedures. To ensure maximum benefit, please read these instructions carefully before using the unit.

It is important that this manual be retained with the unit for future reference.

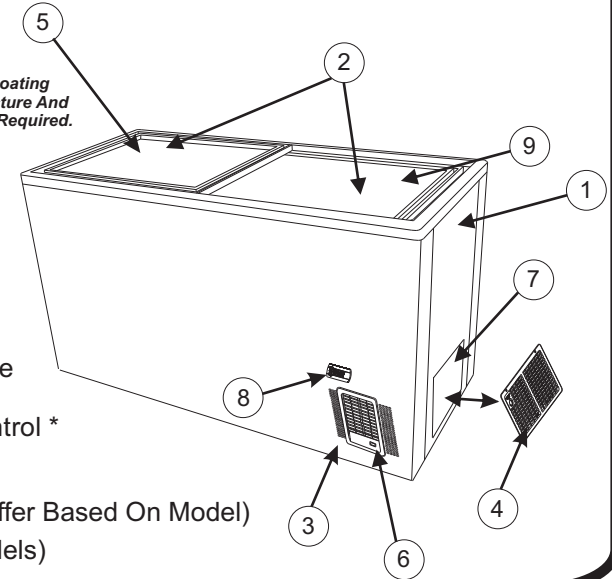


Should the appliance be sold or transferred to another owner, always ensure that the manual is supplied with the unit in order that the new owner can get to know the functioning of the appliance and the relevant warnings.

COMMERCIAL CHEST FREEZER

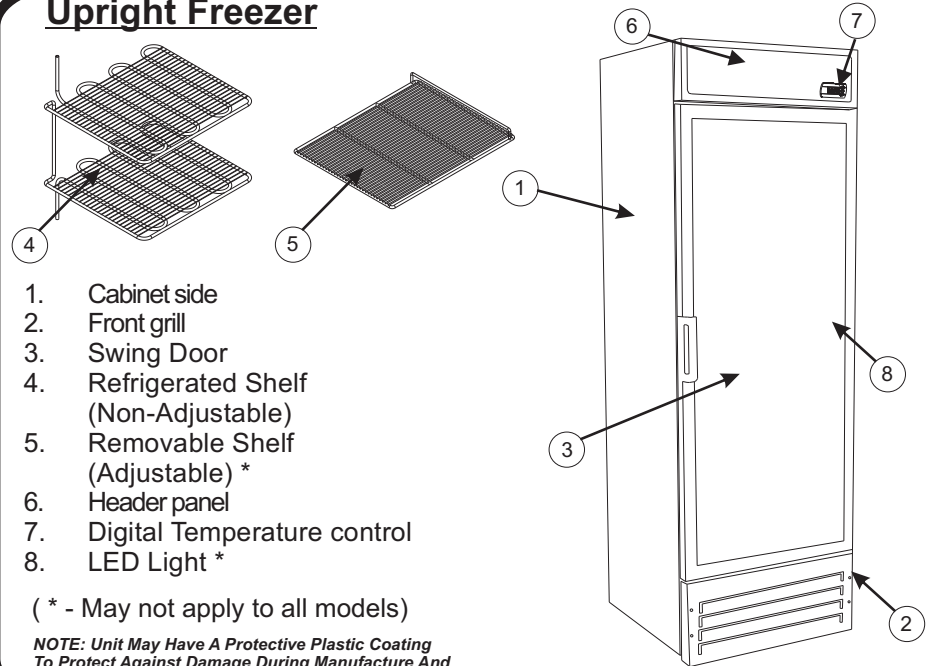
NOTE: Unit May Have A Protective Plastic Coating To Protect Against Damage During Manufacture And Shipping. This Coating Can Be Removed If Required.

1. Cabinet side
2. Sliding Glass Lid
3. Front vent cover
4. Side access cover
5. Baskets (Internal)
6. Power indicator light
7. Thermostat temperature control *
8. Digital temperature control *
9. LED Lights (Internal) **



(* - Type Of Controller May Differ Based On Model)
(** - May Not Apply To All Models)

Upright Freezer

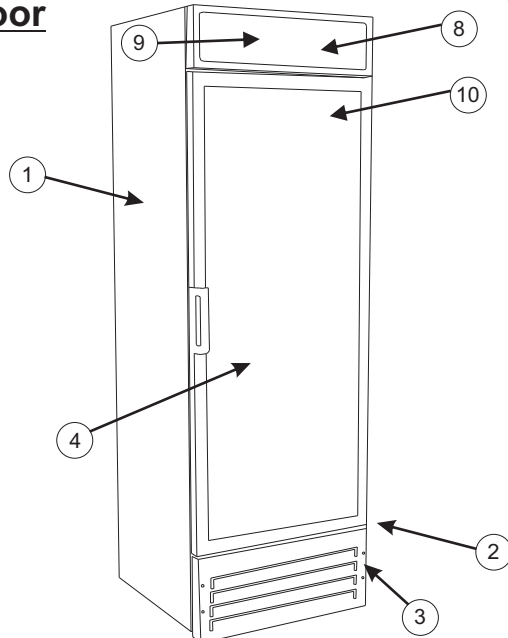
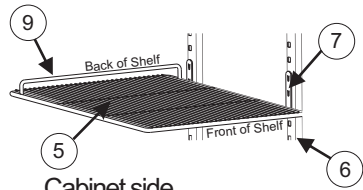


1. Cabinet side
2. Front grill
3. Swing Door
4. Refrigerated Shelf (Non-Adjustable)
5. Removable Shelf (Adjustable) *
6. Header panel
7. Digital Temperature control
8. LED Light *

(* - May not apply to all models)

NOTE: Unit May Have A Protective Plastic Coating To Protect Against Damage During Manufacture And Shipping. This Coating Can Be Removed If Required.

Large Single Swing Door

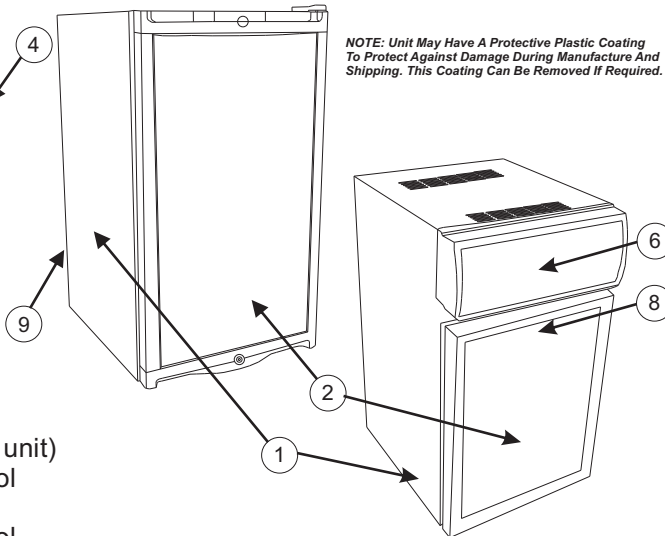
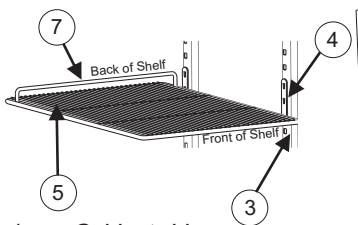


1. Cabinet side
2. Side panel
3. Front grill
4. Swing Door
5. Shelf
6. Wall band
7. Shelf hook
8. Header panel
9. Shelf stopper bar*
(Must be at rear of unit)
9. Temperature control
(Behind Header Panel)**
10. Temperature control
(Inside Unit)**

(* - May Not Apply To Certain Models)
(** - location May Differ Based On Model)

NOTE: Unit May Have A Protective Plastic Coating To Protect Against Damage During Manufacture And Shipping. This Coating Can Be Removed If Required.

Small Single Swing Door



NOTE: Unit May Have A Protective Plastic Coating To Protect Against Damage During Manufacture And Shipping. This Coating Can Be Removed If Required.

1. Cabinet side
2. Swing Door
3. Wall band *
4. Shelf hook *
5. Shelf
6. Header panel
7. Shelf stopper bar*
(Must be at rear of unit)
8. Temperature control
(Inside Unit) **
9. Temperature control
(Rear of Unit) **

(* - May Not Apply To Certain Models)
(** - location May Differ Based On Model)

2. WARNINGS AND GUIDANCE



This unit's refrigerant is flammable Hydrocarbon. It must only be serviced by a qualified technician.



The instruction manual should be read and understood before installing this unit. The manufacturer assumes no responsibility for personal injury or property damage caused by non-compliance with the instructions in this manual.



This unit must not be connected to an extension cord Or multi-plug adapter.



Always disconnect the appliance from the mains before attempting to do any maintenance work.



Ensure that the power supply voltage corresponds to the voltage indicated on the unit's data label. Ensure correct polarity of live, neutral and earth of power supply.



This appliance is not intended for use by persons (including children) with reduced physical, sensory or mental capabilities, or lack of experience and knowledge, unless they have been given supervision or instruction concerning use of the appliance by a person responsible for their safety"



Children should be supervised to ensure that they do not play with the appliance.



Do not use any electrical appliances inside the food storage compartment of the appliance unless they are of the type recommended by the manufacturer . (I.E. Ice makers, timers, heaters, ETC...)



Maximum caution should be taken in handling this unit. The manufacturer assumes no responsibility for damages caused by improper handling.



Do not damage the refrigeration circuit of this appliance.



Do not store explosive substances such as aerosol cans with flammable propellant in this appliance.



Do not overload the shelves or baskets of this unit.



Do not use mechanical devices or other means to accelerate the defrosting process, other than those recommended by the manufacturer

3. SERVICING



THIS UNIT IS CHARGED WITH A FLAMMABLE REFRIGERANT. DO NOT INTERFERE WITH THE REFRIGERANT PIPES AND COMPONENTS. ONLY TRAINED AND QUALIFIED PERSONNEL MAY DO SO.



THE SERVICE AREA SHOULD BE WELL VENTILATED AND THERE SHOULD BE NO IGNITION SOURCE IN CASE OF GAS LEAK.



THE UNIT **MUST** BE CHARGED WITH THE CORRECT REFRIGERANT (See Unit's Data Label)



DO NOT REPLACE / CUT / JOIN / TERMINATE ANY WIRING AS THIS IS A POTENTIAL SPARK HAZARD.



DO NOT REMOVE ANY COVERS, GUARDS, OR SEALS.



ENSURE THAT ANY PARTS REPLACED CORRESPOND TO THE CORRECT PART NUMBER



IF THE COMPRESSOR IS REPLACED, PLEASE ENSURE THAT THE ENCLOSED WARNING LABEL IS ATTACHED TO THE NEW UNIT



ENSURE THE SERVICE HISTORY OF THIS UNIT IS MAINTAINED. FAILURE TO DO THIS WILL RESULT IN THE WARRANTY BEING VOIDED. (See Service History)



IF THE FAN MOTOR BLADE IS CHANGED, ENSURE THAT IT IS REPLACED WITH THE CORRECT BLADE. (IF APPLICABLE)



THE FAN MOTOR MUST BE "N" PROTECTED (IF APPLICABLE)



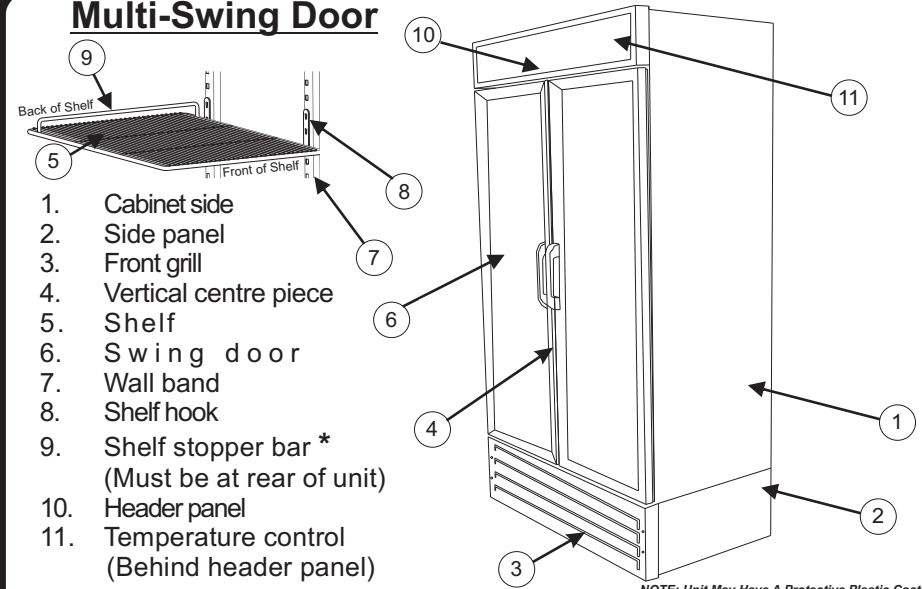
THE THERMOSTAT OR CONTROLLER MUST BE "EX" RATED



IF THE POWER CORD IS DAMAGED IT MUST BE REPLACED BY THE MANUFACTURER OR IT'S SERVICE AGENT TO AVOID A HAZARD

9. UNIT FEATURES

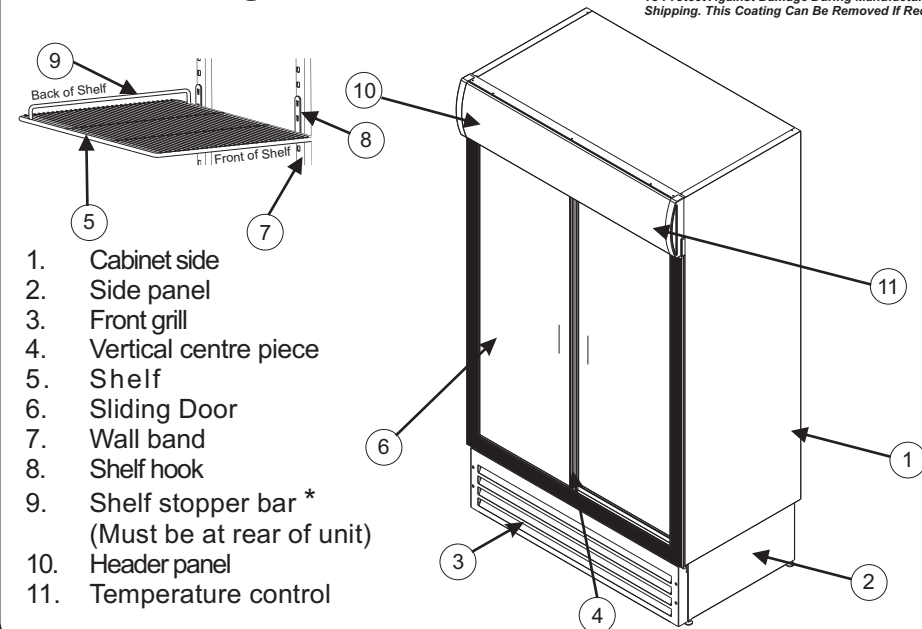
Multi-Swing Door



1. Cabinet side
 2. Side panel
 3. Front grill
 4. Vertical centre piece
 5. Shelf
 6. Swing door
 7. Wall band
 8. Shelf hook
 9. Shelf stopper bar *
(Must be at rear of unit)
 10. Header panel
 11. Temperature control
(Behind header panel)
- (* - May Not Apply To Certain Models)

NOTE: Unit May Have A Protective Plastic Coating To Protect Against Damage During Manufacture And Shipping. This Coating Can Be Removed If Required.

Multi-Sliding Door



1. Cabinet side
 2. Side panel
 3. Front grill
 4. Vertical centre piece
 5. Shelf
 6. Sliding Door
 7. Wall band
 8. Shelf hook
 9. Shelf stopper bar *
(Must be at rear of unit)
 10. Header panel
 11. Temperature control
- (* - May Not Apply To Certain Models)

NOTE: Unit May Have A Protective Plastic Coating To Protect Against Damage During Manufacture And Shipping. This Coating Can Be Removed If Required.

- For optimum operation, it is recommended that:
 - The condenser ventilation grill not be obstructed in any way.
 - Other refrigerators are not being hit by hot air released by the condenser of this unit as this may endanger their operation.
- Do not expose the unit to atmospheric agents like rain, salt, etc.
- Clean the condenser regularly to remove dust build up by brushing gently with a soft brush.

6.4 REPLACING LED LAMPS

The LED lamps in this unit should only be replaced by the manufacturer or an approved service agent.

If the LED lamps in this unit are replaced, ensure that the replacement parts match.

Under no circumstances should the LED lamps in this unit be replaced with Fluorescent lamps.

7. TROUBLESHOOTING

- In case the unit will not start or stay "ON"
 - There may be a general power failure.
 - The main wall switch may be "OFF".
 - The unit plug may not be properly connected to socket outlet.
 - The supply voltage may be outside the range of 196V and 256V.
- If the unit will not cool properly:
 - The condenser may be dirty and its fins may be unable to exchange heat.
 - The unit may be overloaded.
 - The air inlets may be obstructed.
 - The unit may be near a heat source or draught.
 - The unit temperature control may need to be adjusted.
(See regulating temperature section)

8. SERVICE HISTORY

SERVICE HISTORY				
DATE	TECHNICIAN	TEL NO.	WORK DONE	STAMP

4. TRANSPORTATION & STORING

4.1 Transportation

The unit is supplied in a package containing polystyrene protection or a cardboard box. Never drag the unit by the sides or any other part. If the unit must be shipped, use the original packaging, to ensure sufficient protection and stability during transportation.

Transportation temperature must be below 45 °C, and below 55% relative humidity.

4.2 Storage

Storing temperature must be between 10 °C and 45 °C, and below 55% relative humidity.

Keep the unit out of direct sunlight.

If the unit will be out of service for a long period of time before use, leave it in its original packaging to guarantee optimum protection.

Make sure conditions correspond to the above requirements.

If the unit must be out of service for a long period of time after use, ensure that it is disconnected from the electrical power supply, clean it thoroughly with lukewarm water and soap, then wipe it carefully and cover with a waterproof polythene bag.

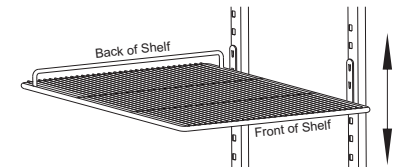
5. UNPACKING & POSITIONING

5.1 Unpacking The Unit

Carefully remove the protective plastic covering and polystyrene protection. Remove any additional protective packaging (Plastic covers, tape, etc...) Open the doors to unpack the shelves and header panel if the unit has one.

5.2 Fitting shelves (if installed)

To fit shelves, position shelf hooks in the wall bands at appropriate level. Ensure that all hooks are positioned at the same level or the shelf will not sit level. Once all shelf hooks are in place, carefully lower the shelves onto the hooks.

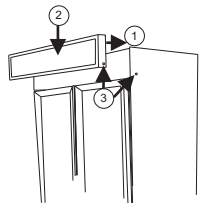


5.3 Fitting Header Panel (if installed)

There are two ways to fit the Header depending on model:

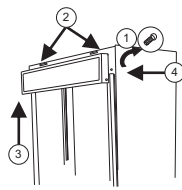
Procedure One (Hinged Door):

- lift the panel above the top of the unit so that the top of it overlaps the protruding lip at the top of the unit.
- Lower the panel over the protruding lip and push it down to ensure a tight fit.
- Once the panel is in place screw the panel to the unit to secure it in place.



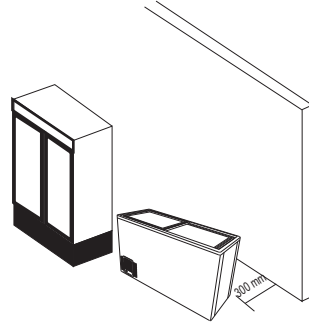
Procedure Two (Sliding Door):

1. Remove the two screws in the plastic "E" section.
2. Align the tab on the top of the header with the slots in the cooler.
3. Slide the header up and back till it is flush.
4. Once the panel is in place screw the panel to the unit using the holes provided to secure it in place.



5.4 Floor Surface.

When positioning the unit, ensure that the surface area **is level**. Ensure that the weight of the unit is equally distributed on the levelling foot screws so that remains stable and does not rock.



5.5 Space Requirements.

The unit must be granted a reasonable free area in the front for customer access, maintenance and condenser ventilation. Make sure to leave a 300mm gap between the rear of the unit and the wall.

5.6 Room Conditions.

·Refrigeration Climate Class	-	CLASS 4
·Type of room	-	Closed
·Minimum temperature	-	16°C
·Maximum temperature	-	30°C
·Relative humidity	-	< 55%
		< 55% H.R at 16°C

N.B: The unit will not operate optimally if temperature and humidity are out of this range.

5.7 Electrical Installation.

The unit must be installed in accordance with the instructions provided by the manufacturer and local regulations. Incorrect installation may cause serious harm to persons and property. The manufacturer assumes no responsibility for such damages.

6. USING THE UNIT

6.1 Switching "ON" the unit

Connect the cable to a 15A dedicated socket and turn the plug "on".

When loading products make sure that:

- air inlets are not blocked in any way.
- the overall load does not exceed the capacity of the shelves.
- the unit has run for 24 hours before loading.

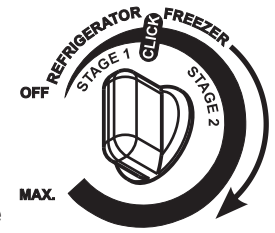
6.2 Regulating and adjusting temperature

The unit is factory-regulated for operation in any of the local climatic conditions.

6.2.1 Adjusting Thermostat Temperature Controller (if installed)

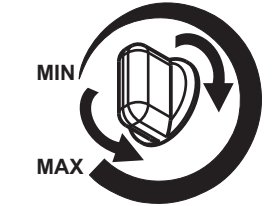
Multi Mode

To make the unit **COLDER**, turn the control knob clockwise. To turn the unit into a **FRIDGE**, turn the control knob anti-clockwise and "CLICK" over to Refrigeration Mode. (This is a Two Stage Thermostat).



Normal

To make the unit **COLDER**, turn the control knob clockwise.



6.2.2 Adjusting Digital Temperature Controller (if installed)

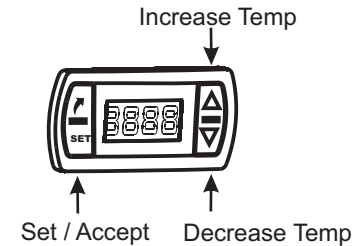
To adjust the temperature of the unit, locate the Digital Temperature Controller.

Press and hold the **SET** button until the display reads "SET" to enter adjust mode.

To increase the unit temperature, press and hold the **TOP RIGHT** button until the desired temperature is displayed.

To decrease the unit temperature, press and hold the **BOTTOM RIGHT** button until the desired temperature is displayed.

Once you have the desired temperature, press the **SET** button again to accept.



6.3 Cleaning and maintenance

Cleaning the unit regularly and carefully prevents untimely stops, deterioration and compressor damage.

- Once a week, wash all the external and internal parts of the refrigerator with lukewarm water and soap, then wipe with a soft cloth.



Do not use flammable or abrasive products.
Never use direct water jets.

- Defrost the unit every 3 months to melt excessive ice that may have formed between the evaporator fins. Defrost as follows:

- Disconnect the unit from the electrical power supply.
- Empty all content from the unit and keep them in a cold compartment suitable for conservation.
- Carefully clean the inside of the unit with lukewarm water and mild soap then wipe with a soft cloth.
- Wait for the inside to dry perfectly before starting the unit again.
- Allow approximately 12 hours before loading.